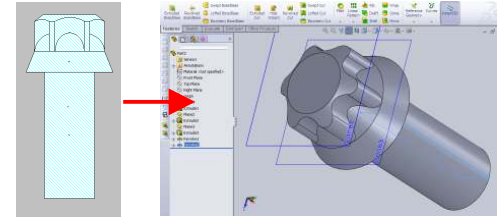
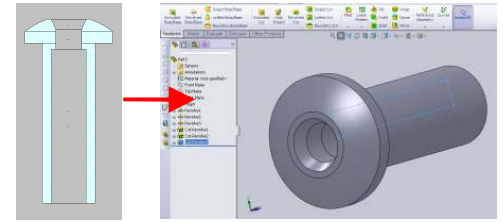
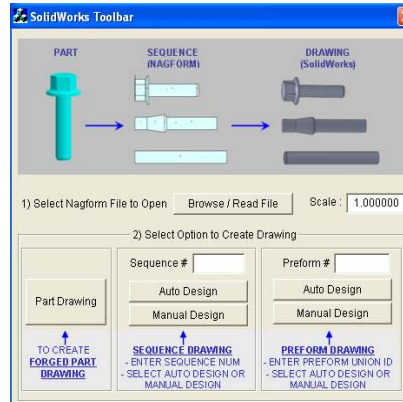


NAGFORM - SolidWorks Interface

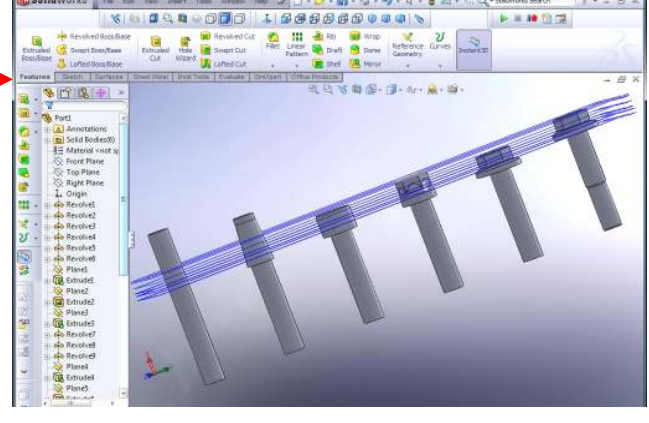
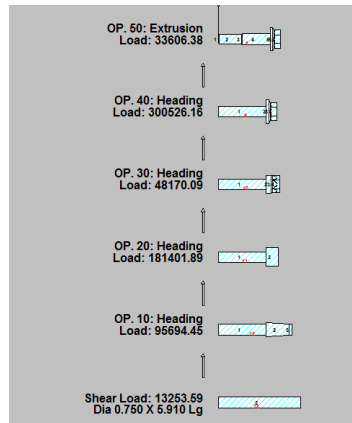
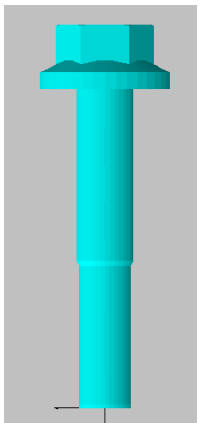
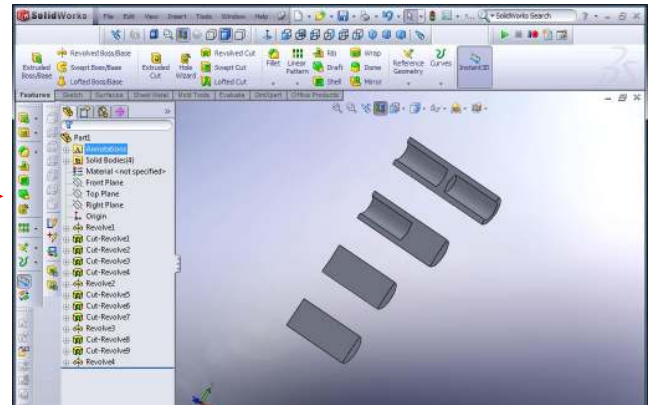
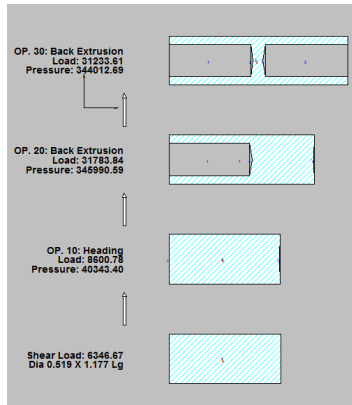
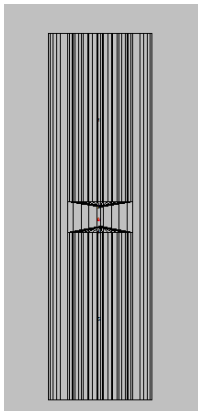
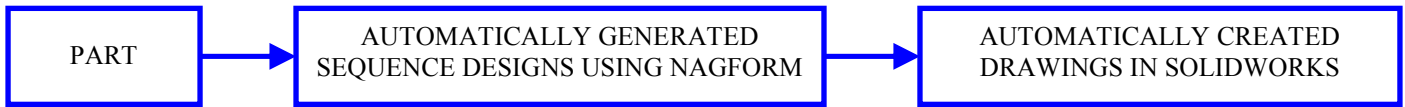
The new **'NAGFORM-SolidWorks Interface'** toolbar allows the user to generate '3-D SolidWorks' drawings of NAGFORM Models and Forging Sequence Designs. Following SolidWorks part drawings can be created from an existing NAGFORM Project (.pri) file:

1. Part Model Drawing
2. Entire Forging Sequence SolidWorks Drawing from Auto Design
3. Entire Forging Sequence SolidWorks Drawing from Manual Design
4. Specific Preform Drawing of Auto Design
5. Specific Preform Drawing of Manual Design



PART MODEL IN NAGFORM

AUTOMATIC CREATION OF MODEL IN SOLIDWORKS



PART MODEL

SEQUENCE DESIGN USING NAGFORM

AUTOMATIC CREATION OF MODEL AND SEQUENCE DESIGN IN SOLIDWORKS